

# **INTERMOT DUAL DISPLACEMENT MOTORS**

## **IAC SERIES**

### **H4 MODEL**

**IAC 800**

**IAC 800/C**

**IAC 800/B45**

### **INDEX**

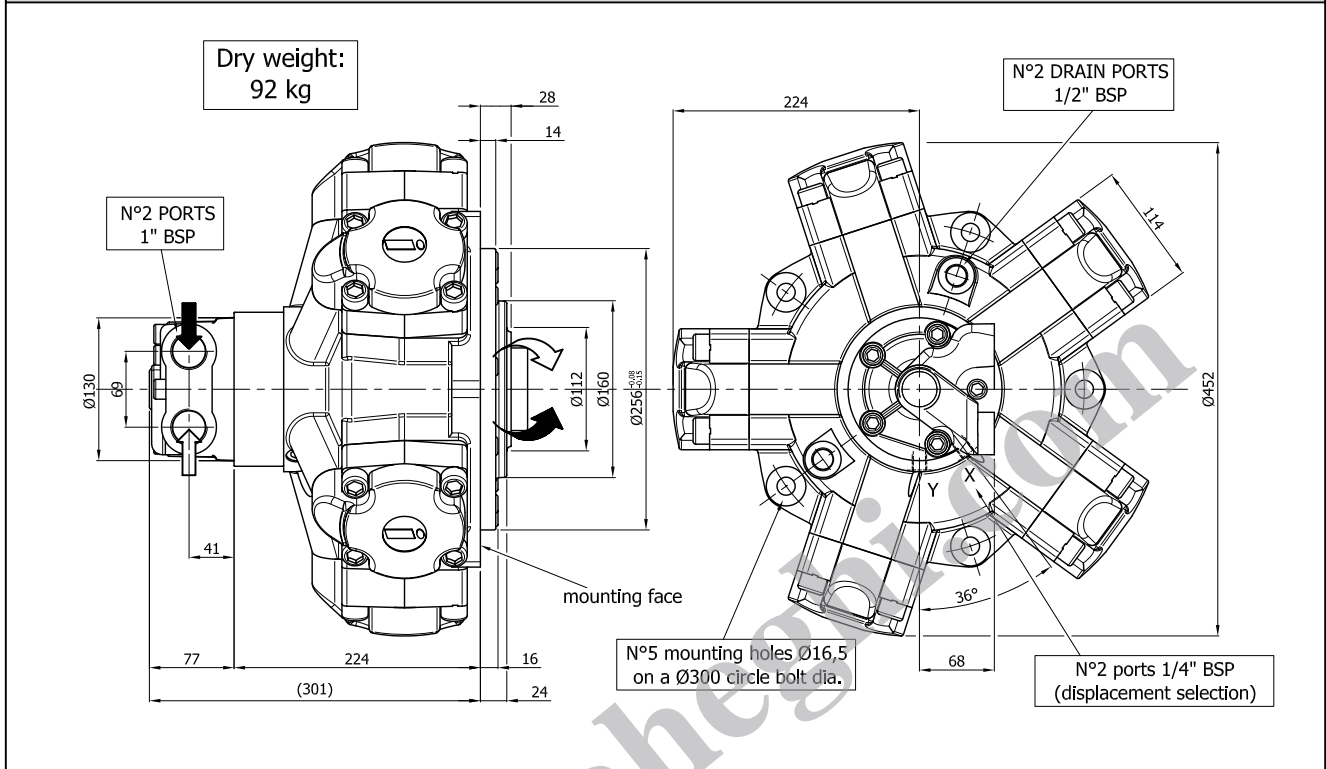
IAC 800 H4 D40 - - - - -	Pag.	32
IAC 800/C H4 D40 - - - - -	"	33
IAC 800/B45 H4 D40 - - - - -	"	34
IAC 800 H4 D47 C3 SV - - - - -	"	35
IAC 800/C H4 D47 C3 SV - - - - -	"	36
IAC 800/B45 H4 D47 C3 SV - - - - -	"	37
IAC 800 H4 D47 C3-24 SV - - - - -	"	38
IAC 800/C H4 D47 C3-24 SV - - - - -	"	39
IAC 800/B45 H4 D47 C3-24 SV - - - - -	"	40
ORDERING INSTRUCTIONS - - - - -	"	41

### **MOTOR TECHNICAL DATA**

	<b>792</b>	<b>660</b>	<b>575</b>	<b>493</b>	<b>410</b>	<b>328</b>	<b>273</b>	<b>245</b>	<b>165</b>
Displacement [cc/Rev]	792	660	575	493	410	328	273	245	165
Specific theoretical torque [Nm/bar]	12.6	10.5	9.2	7.8	6.5	5.2	4.3	3.9	2.6
Continuous maximum speed [rpm]	450	540	600	600	600	600	600	600	600
Minimum speed [rpm]	2	2	2	2	2	2	2	3	3
Mechanical efficiency [%]	90.8	90.4	88.5	88	87.4	84.5	82.4	82	60.2
Starting mechanical efficiency [%]	84.8	84.4	82.6	79	75	70.2	68.3	60.8	43.3
Continuous maximum power [kW]	100	90	80	68	53	43	38	30	15
Intermittent maximum power [kW]	120	108	96	82	64	52	46	36	18
Continuous maximum pressure [bar]	250	250	250	250	250	250	250	250	250
Intermittent maximum pressure [bar]	275	275	275	275	275	275	275	275	275
Peak pressure [bar]	350	350	350	350	350	350	350	350	350
Recommended flushing flow [l/min]	10	10	10	10	10	10	10	10	10

## SIZE

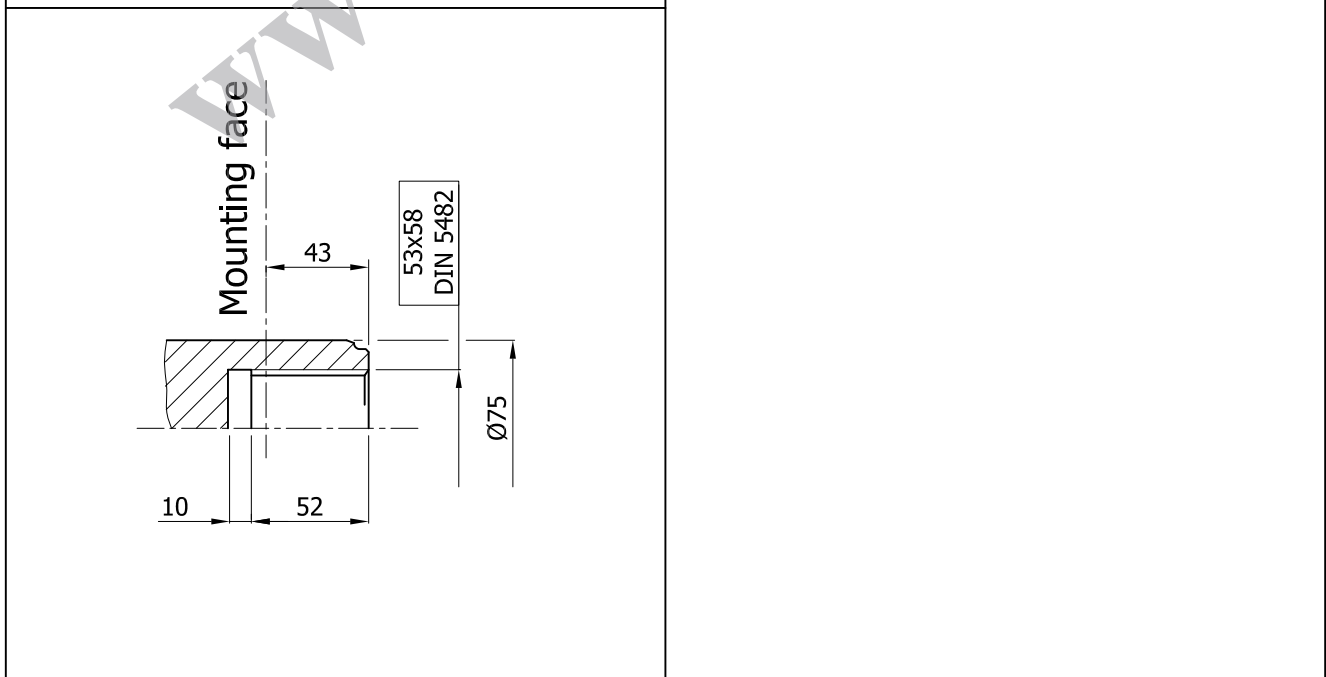
### IAC 800 H4 D40



## SHAFT

### IAC 800 H4 D40

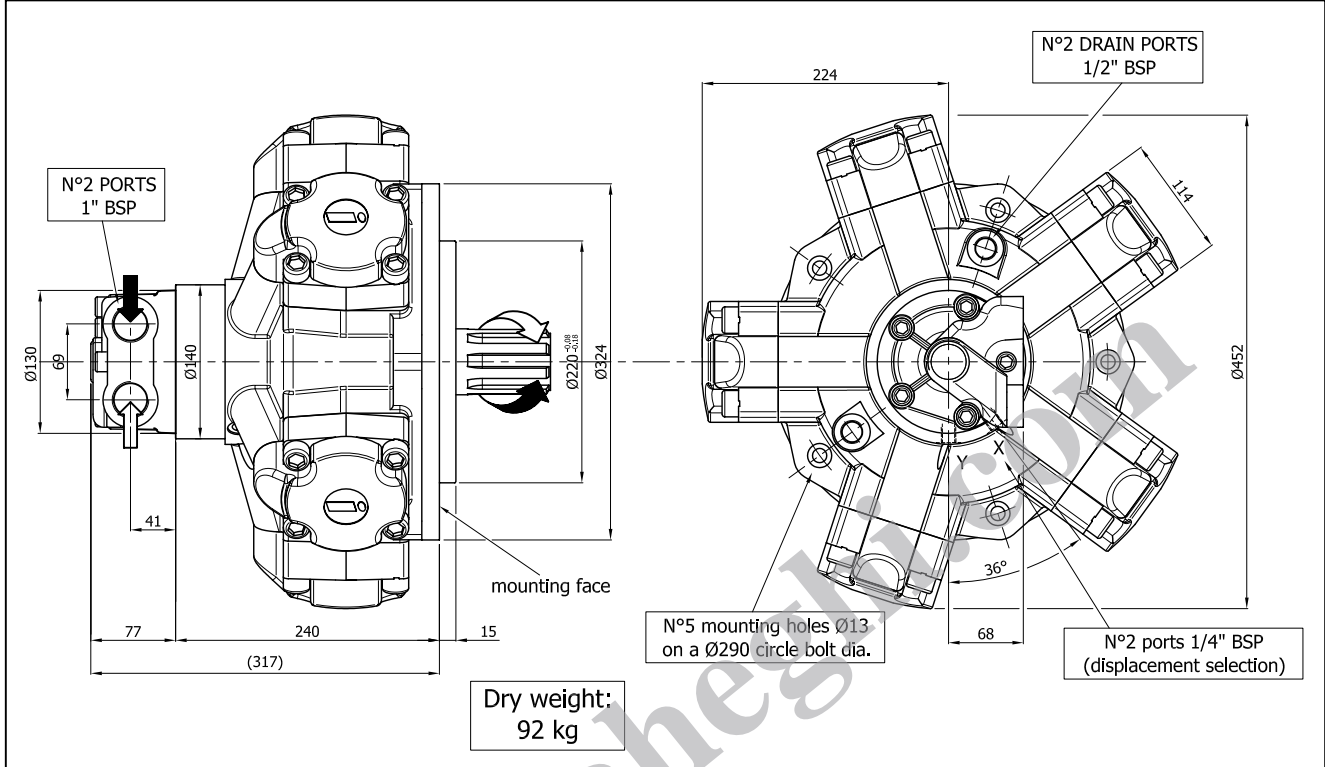
A3: Female shaft



INTERCHANGEABLE WITH MRD700

## SIZE

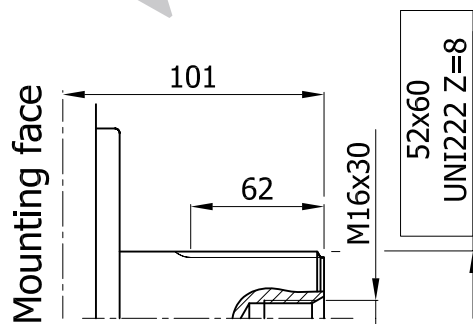
### IAC 800/C H4 D40



## SHAFT

### IAC 800/C H4 D40

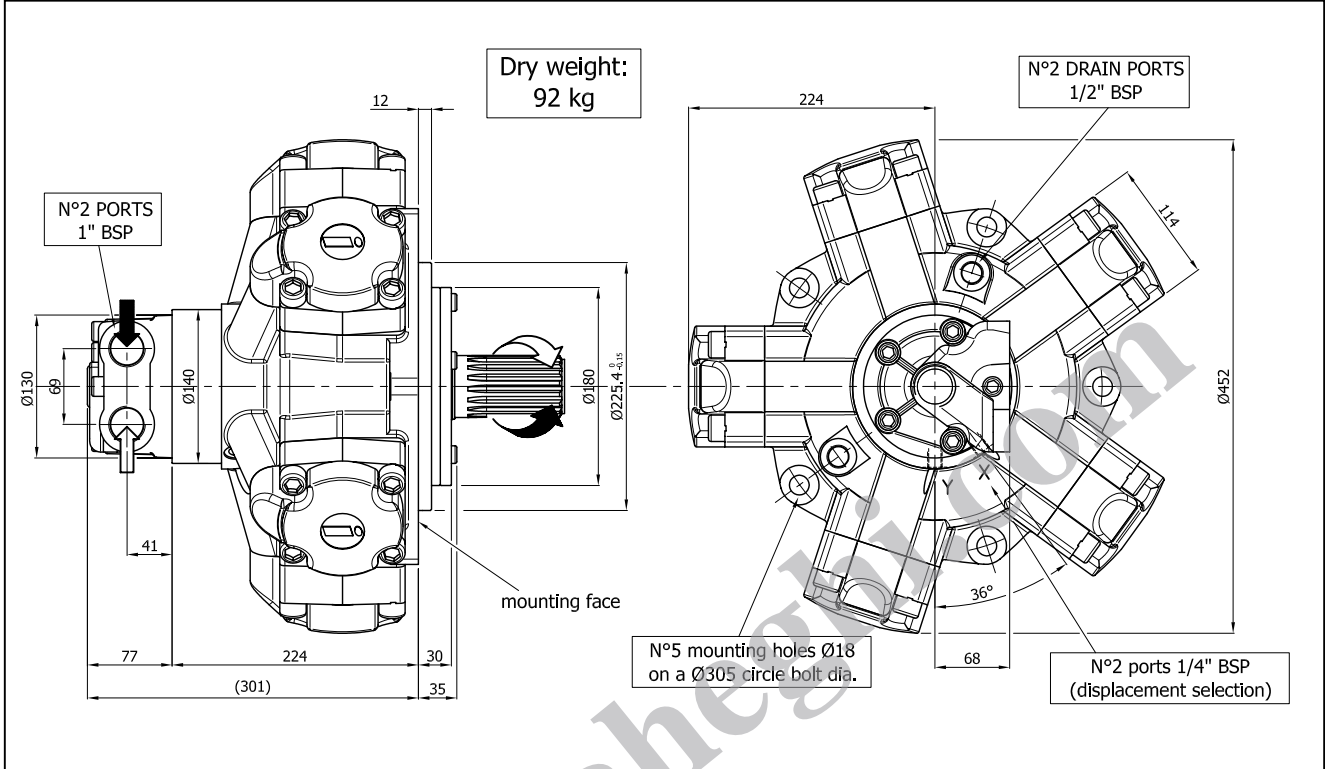
A0: Standard splined shaft



INTERCHANGEABLE WITH HMC45

# SIZE

## IAC 800/B45 H4 D40

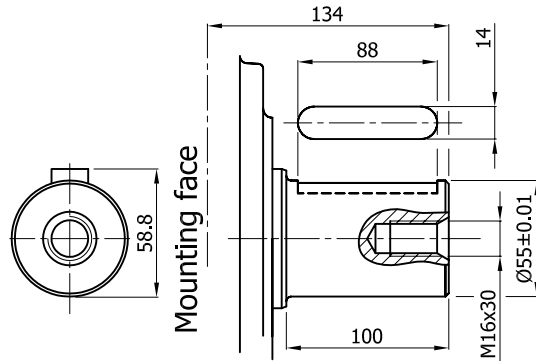
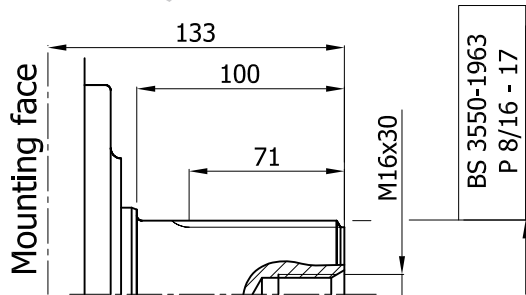


# SHAFT

## IAC 800/B45 H4 D40

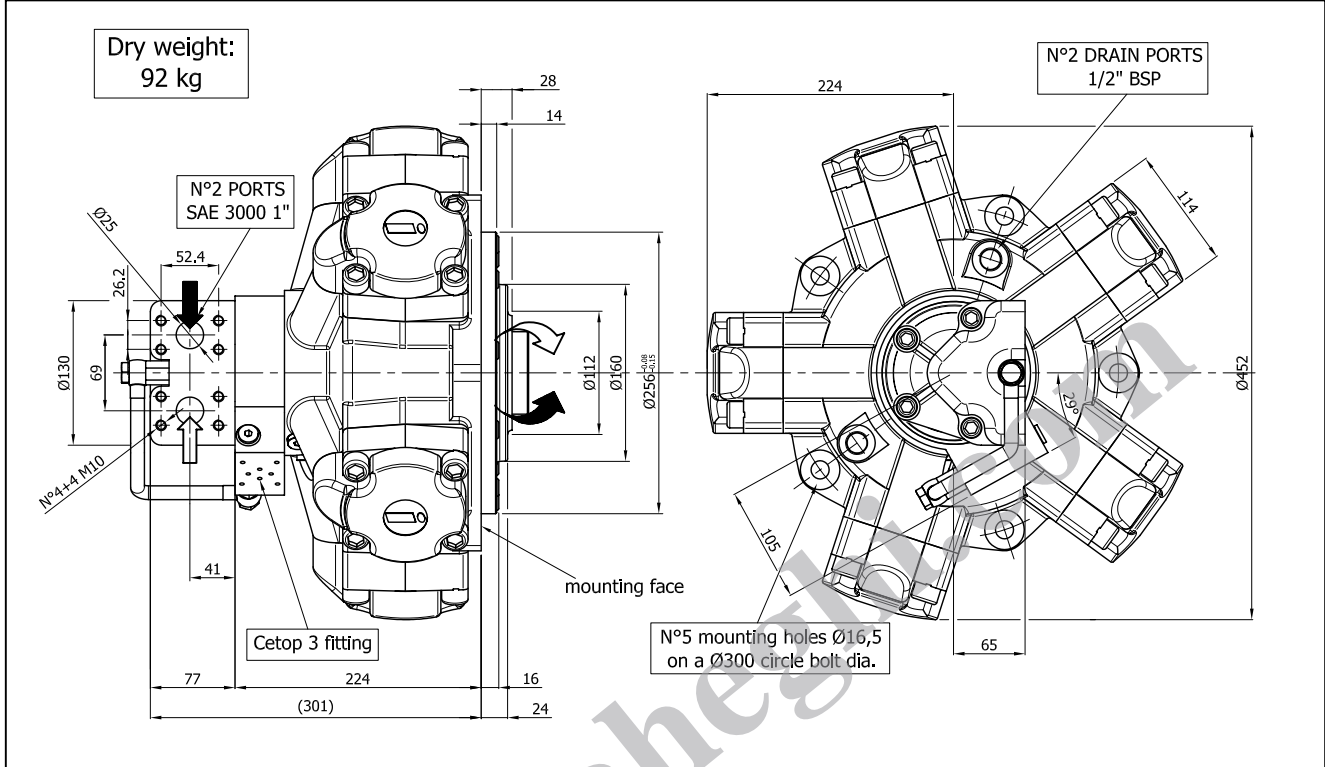
A1: Splined shaft

A2: Parallel shaft



## SIZE

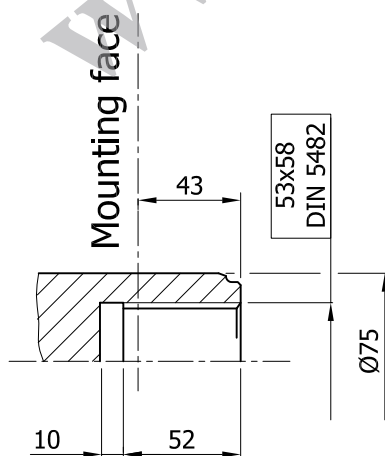
### IAC 800 H4 D47 C3 SV



## SHAFT

### IAC 800 H4 D47 C3 SV

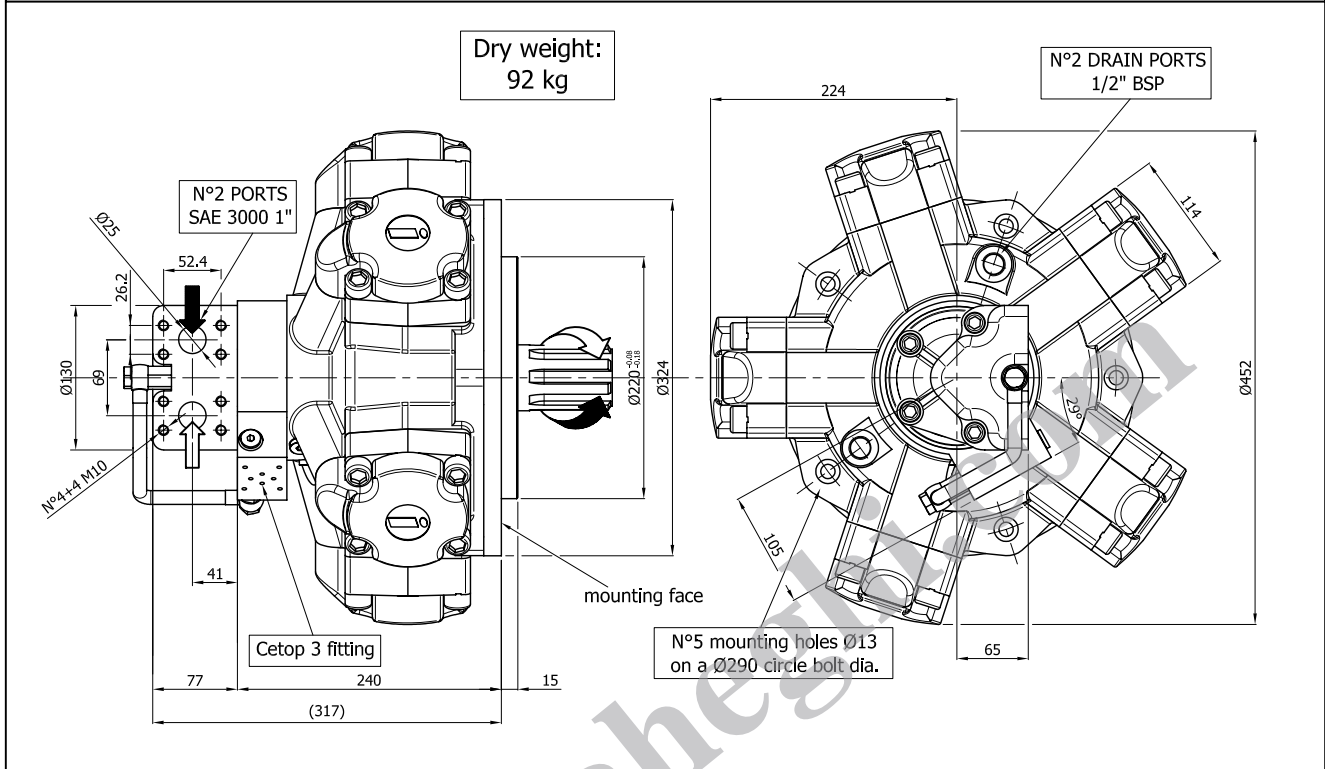
A3: Female shaft



INTERCHANGEABLE WITH MRD700

## SIZE

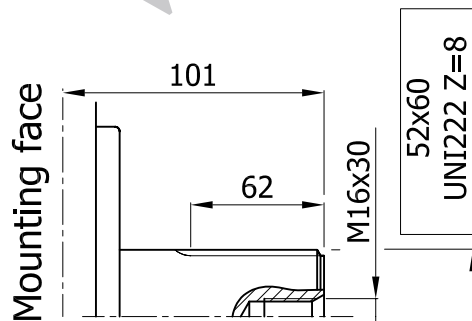
### IAC 800/C H4 D47 C3 SV



## SHAFT

### IAC 800/C H4 D47 C3 SV

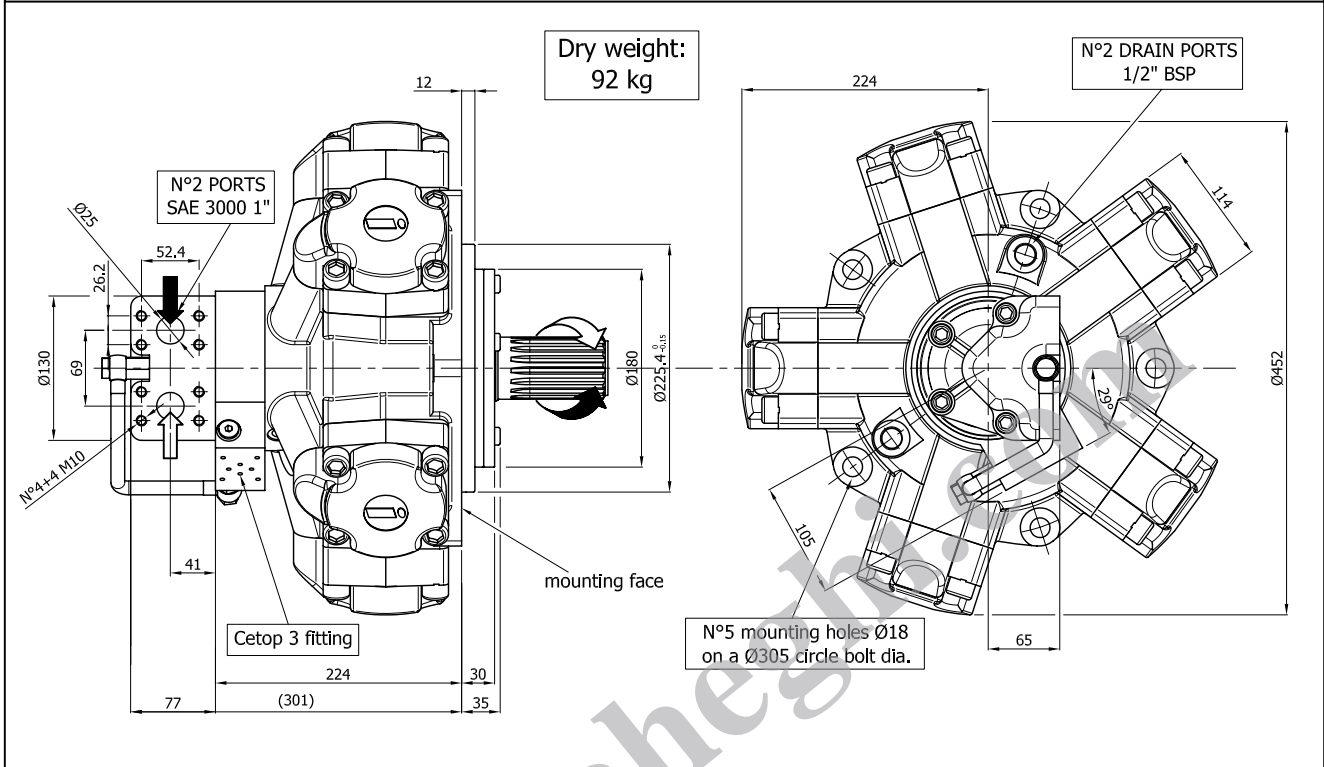
A0: Standard splined shaft



INTERCHANGEABLE WITH HMC45

## SIZE

### IAC 800/B45 H4 D47 C3 SV

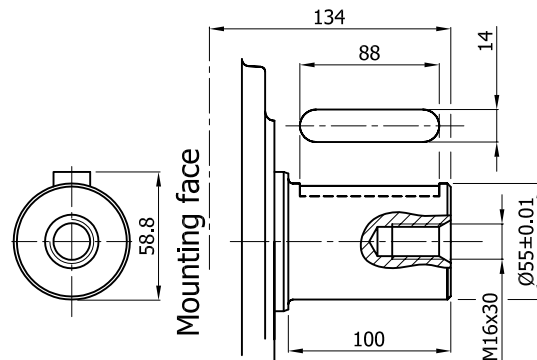
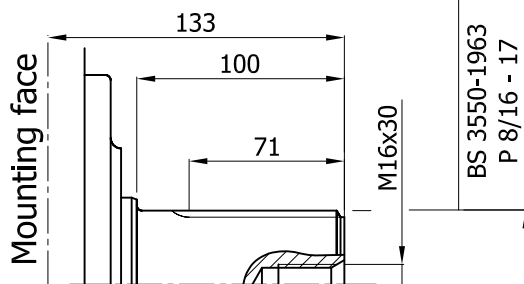


## SHAFT

### IAC 800/B45 H4 D47 C3 SV

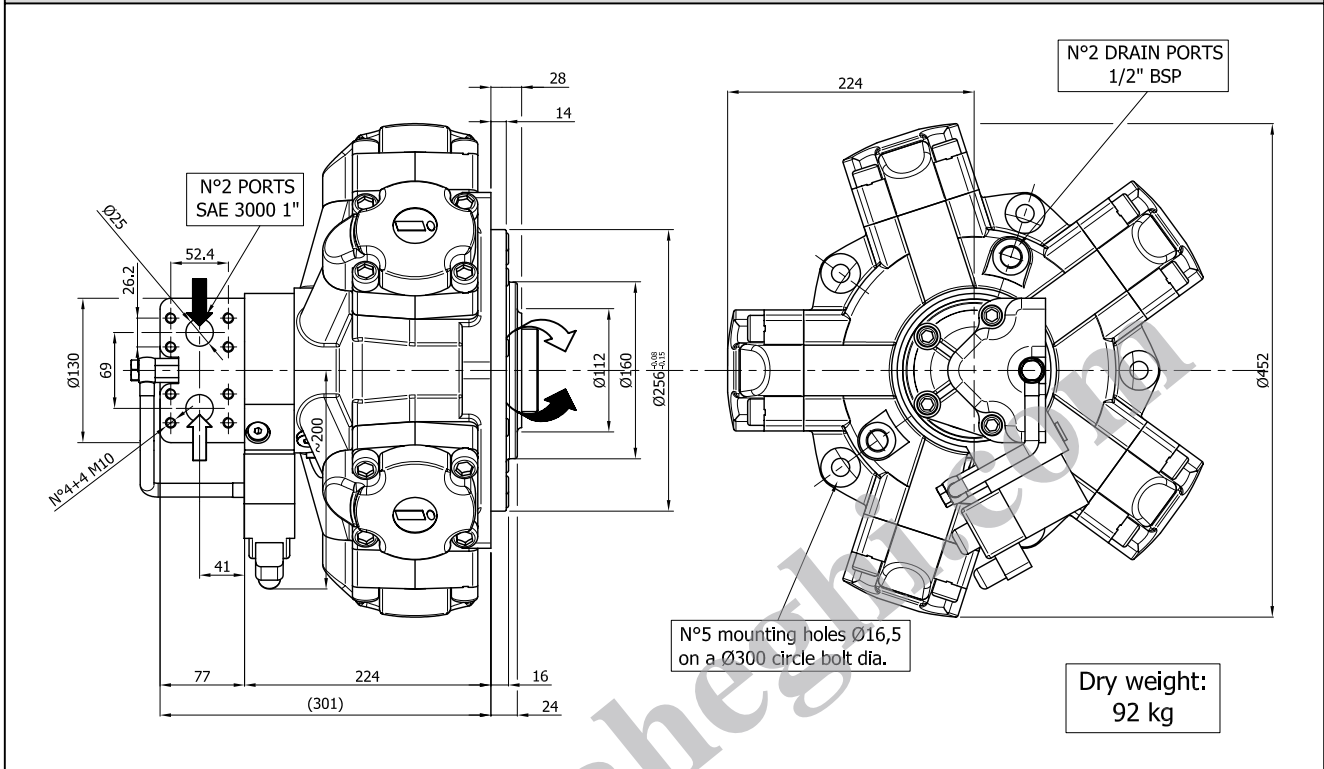
A1: Splined shaft

A2: Parallel shaft



## SIZE

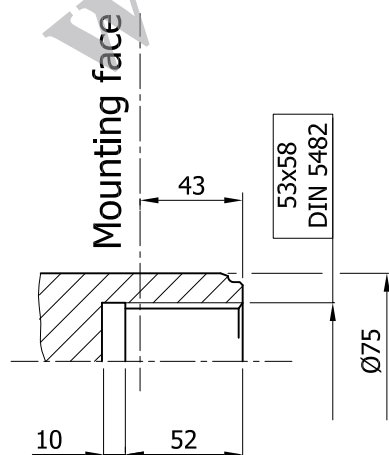
### IAC 800 H4 D47 C3-24 SV



## SHAFT

### IAC 800 H4 D47 C3-24 SV

A3: Female shaft

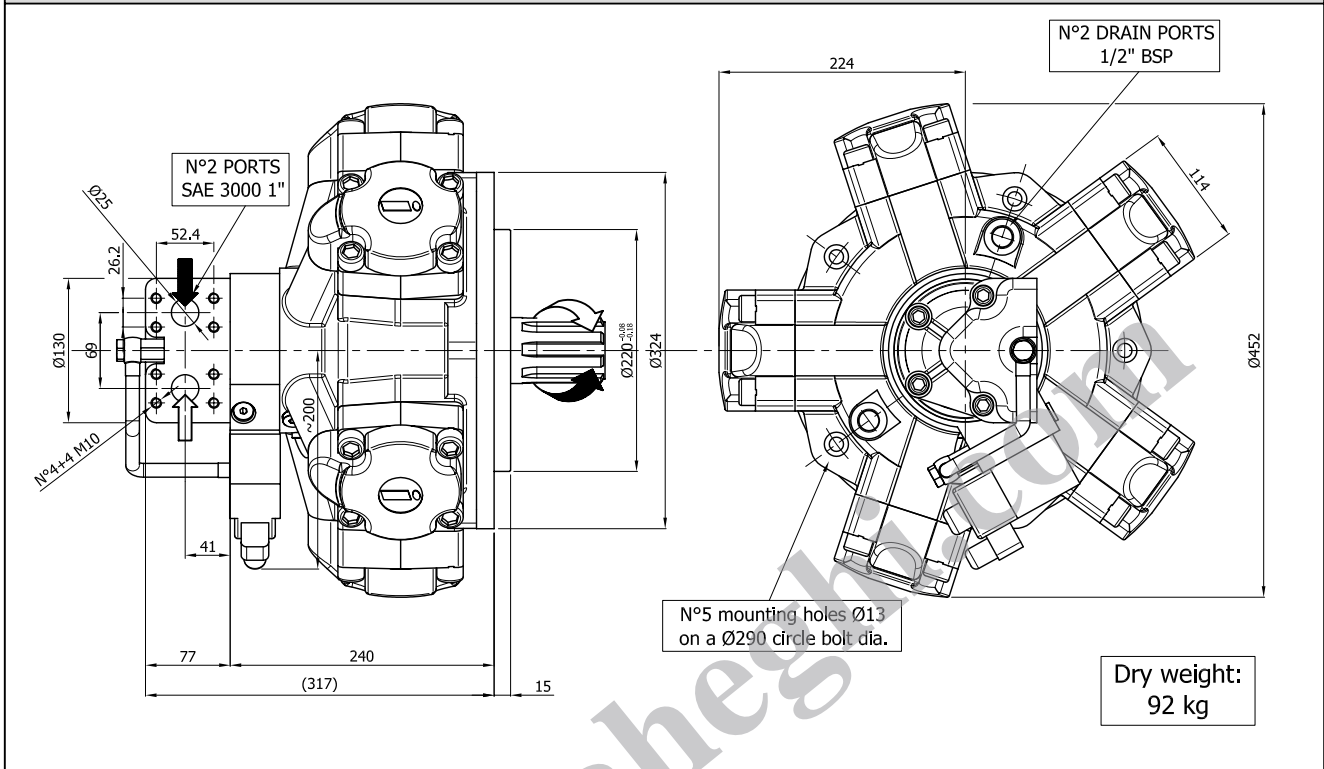




INTERCHANGEABLE WITH MRD700

**SIZE**

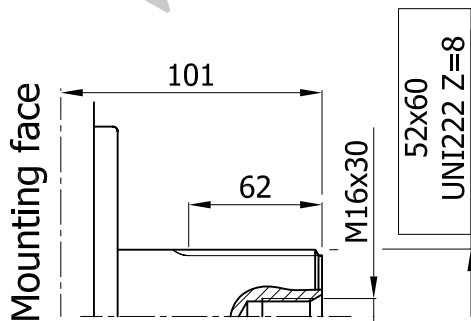
**IAC 800/C H4 D47 C3-24 SV**



**SHAFT**

**IAC 800/C H4 D47 C3-24 SV**

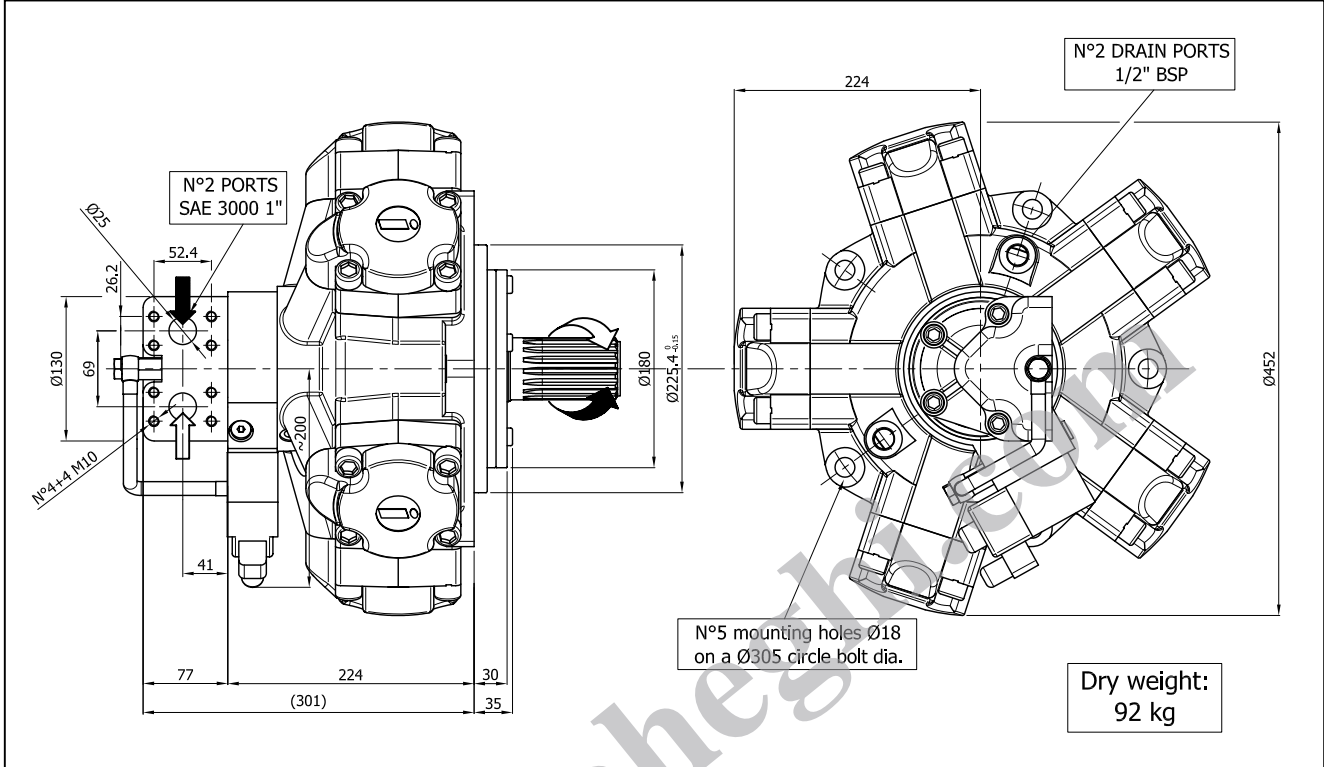
A1: Splined shaft



INTERCHANGEABLE WITH HMC45

## SIZE

### IAC 800/B45 H4 D47 C3-24 SV

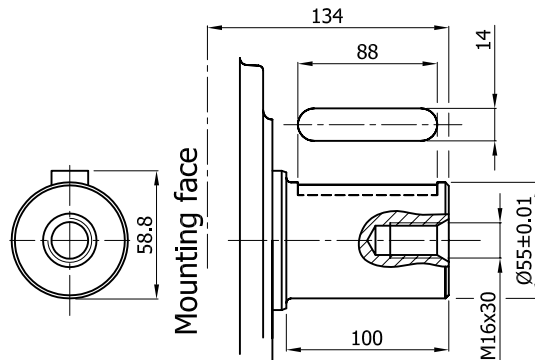
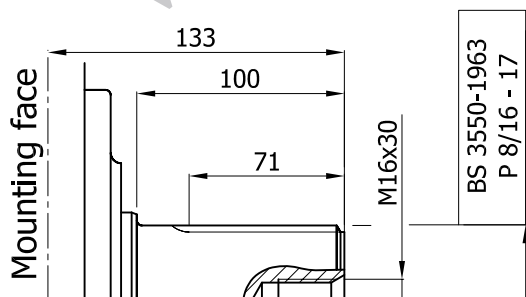


## SHAFT

### IAC 800/B45 H4 D47 C3-24 SV

A1: Splined shaft

A2: Parallel shaft



# ORDERING INSTRUCTIONS

## H4

	<b>IAC --</b>	<b>/-</b>	<b>H1</b>	<b>A -</b>	<b>D --</b>	<b>---</b>	<b>---</b>	<b>SV</b>	<b>SB -</b>	<b>---</b>	<b>---</b>	<b>---</b>	<b>---</b>
Motor model	IAC 800												
Motor interchangeability		/B45 /C											
Housing			H4										
Shaft				A0 splined shaft A1 splined shaft A2 parallel shaft									
Distributor					D40 (1" BSP) D47 (SAE 3000 1")								
Tachometer (optional)						TA TB EST EST.30 J TACHOMETER PREDISPOSITION							
Cetop 3 fitting (optional, available only with D47)						C3 (Cetop 3 fitting) C3-12 (Cetop 3 fitting, with 12V DC valve included) C3-24 (Cetop 3 fitting, with 24V DC valve included)							
Shuttle valve (optional)						SV (available only with D47 distributor)							
Spline billet (optional)						SB16 (for A0 splined shaft)							
Valves (optional)						RVDA OVSA (see valve section for details and complete ordination code) OVDA ORVSA RVDAP							
Special features (optional)						01 (Viton seals) 02 (Oxynit treatment on the external motor surface) 03 (Nitemper treatment on cylinder bores)							
Conversion flange (optional) (see conversion flanges section)						FL2 (for IAC 800/C D47)							
Displacements						MAX-MIN (MAXIMUM AND MINIMUM DISPLACEMENT OF MOTOR)							
													Max displacement range: 792-575 cc/Rev Min displacement range: 493-165 cc/Rev
													Different displacements on request

**EXAMPLE:** IAC.800.H4.A3.D47.C3.SV.792-410  
IAC.800/B45.H4.A1.D47.C3-24.SV.792-393